

Since 1913, Bradley Pulverizer Classifiers have served the powder processing industry worldwide. Utilising our proven vertical blade technology, the Windsifter Air Classifier offers rugged and reliable air classification for efficient and economic operation. This stand-alone classifier provides capacities up to 250 tons per hour with low power consumption and reduced maintenance.



PRINCIPLE OF OPERATION

The Vertical Blade Classifier (VBC) technology incorporated into the Bradley Windsifter Air Classifier utilises vertically oriented blades and the separator rotor to create a vortex, spinning the air and throwing the coarse particles out to the sides, where they fall for bagging. Fine particles are carried through the separator rotor and up to the cyclone or bag filter.

PERFORMANCE FEATURES

- CAPACITIES UP TO 250 TPH
- SHARP CUT – WITH CUT POINTS FROM 5 TO 500 MICRONS
- INSTANT SIZE CONTROL
- NO BAG FILTER
- EASY TO INERT FOR HAZARDOUS MATERIAL SEPARATION
- LOW MAINTENANCE
- LOW POWER CONSUMPTION

CUSTOMISATION FOR SPECIALIZED APPLICATIONS

- Wear-resistant linings to handle abrasive dust like fly ash & cement
- Fabricated in stainless steel to classify metal powders & food products
- Inert purge for fire & explosion prevention
- Low velocity units for fly ash applications

WINDSIFTER AIR CLASSIFIER

EFFICIENT COARSE & FINE
PARTICLE SEPARATION

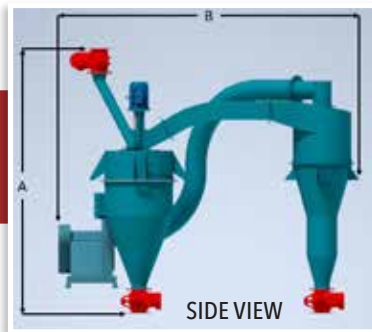
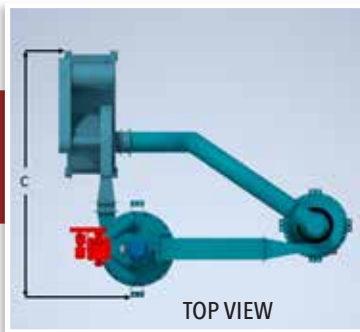
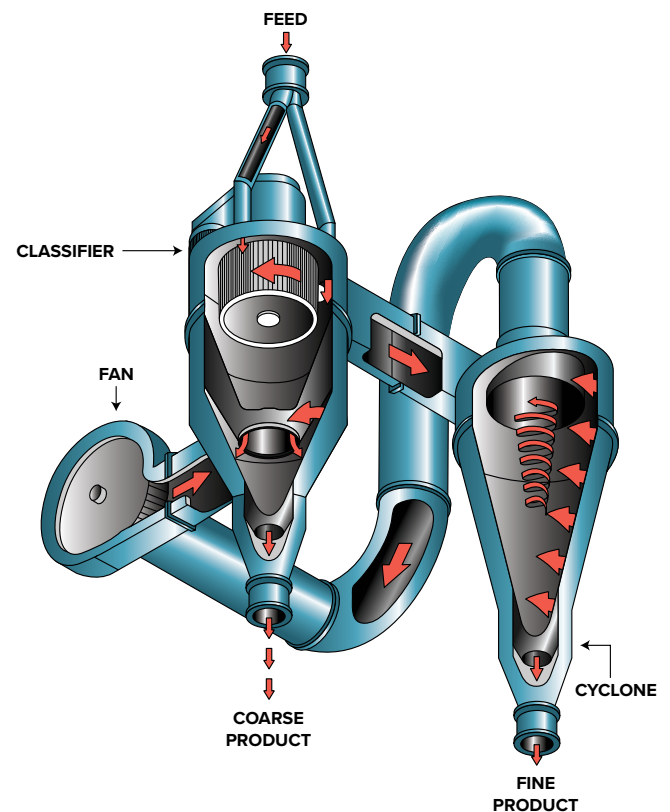
- ✓ SPLITTING OF COARSE & FINES
- ✓ DEDUSTING OF CHIP MATERIAL
- ✓ SEPARATION BY BULK DENSITY

APPLICATIONS

MATERIAL	LIMESTONE	CARBON	FLY ASH	PHOSPHATE	COPPER FLAKE	316 STAINLESS STEEL POWDER	VEGETABLE PROTEIN
APPLICATION	ANIMAL FEED DE-DUST DRY CHIPPINGS	CHEMICAL INDUSTRY COSMETICS	CEMENT SUBSTITUTE	PHOSPHORIC ACID	CHEMICAL INDUSTRY	3D PRINTING	PROTEIN SHIFTING

SPECIFICATIONS

TYPICAL WINDSIFTER DETAILS					
UNIT SIZE	Dimensions in Metres			Power in KW	
	A	B	C	ROTOR	FAN
MS LAB	1.964	1.289	1.35	0.55	1.5
MS1	3	3	2	3	5
MS5	3	4	3	7.5	15
MS10	4	5	4	11	22
MS20	4	5	4	15	37
MS30	5.8	5	5	22	75
MS50	6	7	6	45	110
MS100	11	11	10	90	200
MS200	15	17	12	160	315
MS250	17	18.5	12	250	450



NOTE: These diagrams refer to the A/B/C dimensions in the specification chart above.

FOR OVER
130
YEARS

Airswept Mills | Screen Mills | Air Classifiers | Process Units
Project & Design | Testing, Development & Consultancy

 **Bradley**
PULVERIZER

15 Kennet Rd | Crayford, Kent DA1 4QN

www.bradleypulverizer.com

+44 (0) 1322 559106 +44 (0) 8081 968141