

The **NEW** Windsifter SS Air Classifier offers efficient air classification of coarse and fine particles for specialised applications. Its stainless-steel construction provides a hygienic and easy to clean surface. The non-sparking surface lowers explosion risk. The Windsifter SS can be manufactured with a cyclone or hygienic filter and is skid mounted for easy installation.



PRINCIPLE OF OPERATION

Vertically oriented blades and the separator rotor create a vortex, spinning the air and throwing coarse particles out to the sides where they fall for bagging. Fine particles are carried through the separator rotor and up to the cyclone or bag filter. Particle size can be instantly controlled by adjusting the speed of the rotor.

PERFORMANCE FEATURES

- CAPACITIES UP TO 10 TPH
- PARTICLE SIZES WITHIN A RANGE OF 5 TO 250 MICRONS
- INSTANT SIZE CONTROL THROUGH ADJUSTMENT OF SEPARATOR ROTOR SPEED
- EASY ACCESS HATCHES IN KEY PLACES
- INERT PURGE FOR FIRE & EXPLOSION PREVENTION
- SPECIAL APPLICATION ROTOR DESIGNS AVAILABLE

WINDSIFTER SS AIR CLASSIFIER

EFFICIENT PARTICLE SEPARATION FOR SPECIALISED APPLICATIONS

- ✓ STAINLESS STEEL CONSTRUCTION
- ✓ HYGIENIC SURFACE
- ✓ NON-SPARKING

SPECIALISED DYNAMIC CLASSIFICATION

MATERIAL
Metal Powders
Food Ingredients
Dyes & Pigments
Carbon Powders
Mineral Powders
Battery Materials
Specialty Powders

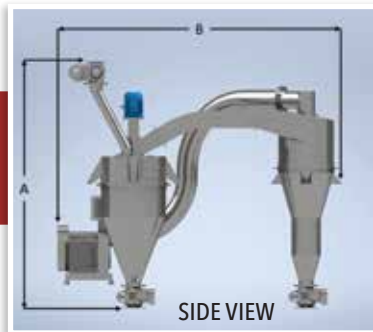
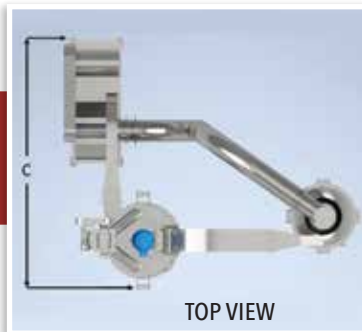
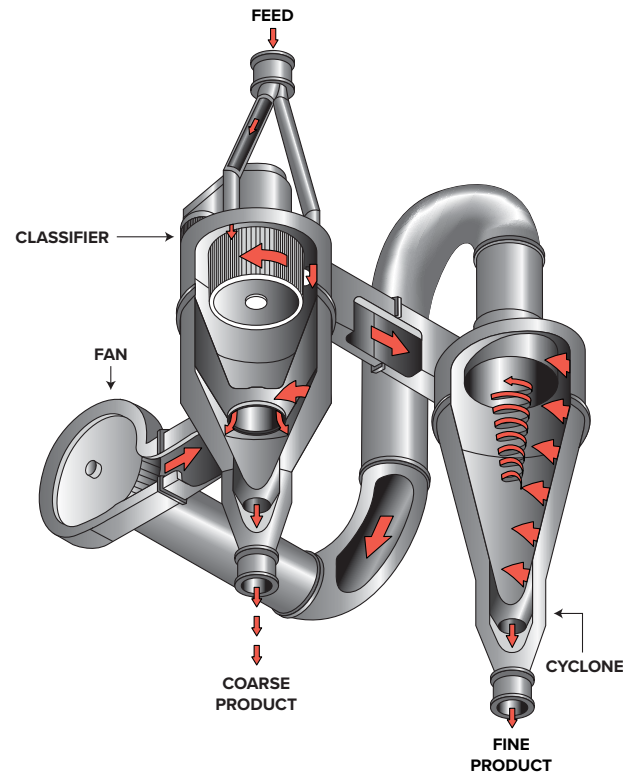
APPLICATIONS
Hygienic classification
Low Contamination Processing
Non-Sparking Applications
High Corrosion Applications

STAINLESS-STEEL CONSTRUCTION

- VARIOUS STAINLESS-STEEL FINISHES AVAILABLE
 - Standard food specification: 0.8-RA internal & 1.2-RA external polished stainless steel
- FOOD GRADE SEALS & GREASE
- NON-SPARKING FOR LOWER EXPLOSION/COMBUSTION RISK

SPECIFICATIONS

TYPICAL WINDSIFTER DETAILS					
UNIT SIZE	Dimensions in Metres			Power in KW	
	A	B	C	ROTOR	FAN
MS LAB	1.964	1.289	1.35	0.55	1.5
MS1	3	3	2	3	5
MS5	3	4	3	7.5	15
MS10	4	5	4	11	22



NOTE: These diagrams refer to the A/B/C dimensions in the specification chart above.

FOR OVER
130
YEARS

Airswept Mills | Screen Mills | Air Classifiers | Process Units
Project & Design | Testing, Development & Consultancy

 **Bradley**
PULVERIZER

15 Kennet Rd | Crayford, Kent DA1 4QN

www.bradleypulverizer.com

+44 (0) 1322 559106 +44 (0) 8081 968141